

QUALITY IRRIGATION
PRODUCTS

ISO 9001:2000 CERTIFIED

2920 Airway Ave, Costa Mesa, Ca. 92626
phone: 714.437.9600 fax: 714.437.9700



HEAVY DUTY T-N-T GEARBOX



Model Numbers:

- 740-TNT-UV 52:1
- 740-TNT-U 50:1

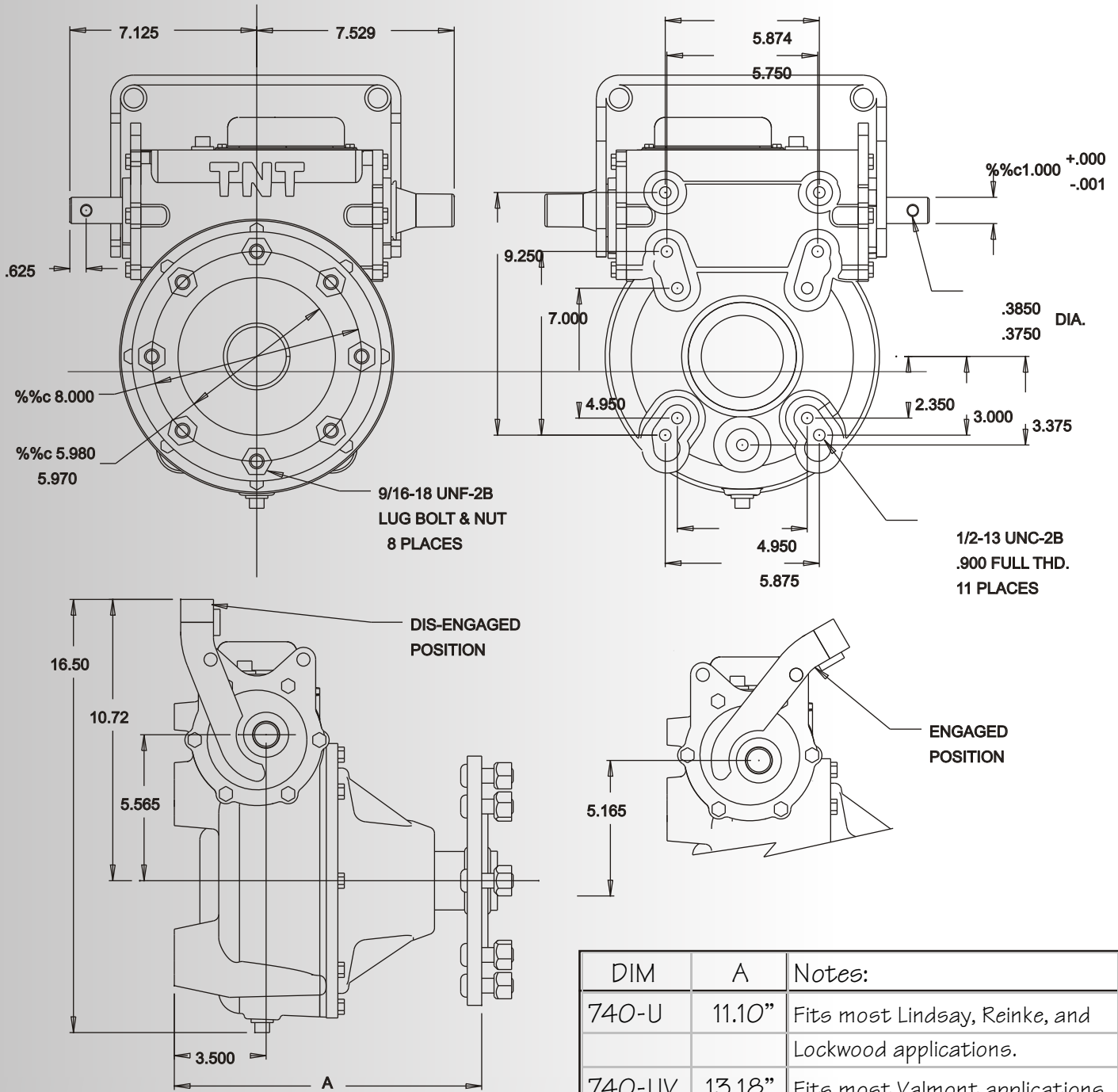
Patent # 6237863

Evaluation Specification:

- * Larger input bearings for improved performance.
- * Double input and output seals for long lasting and reliable operations.
- * Easily disengage bale and tow your pivot to its working location, then simply re-engage bale and you are ready to run.
- * Simple bale engagement lever makes for quick, easy, and trouble free operation.
- * Efficient and reliable alternative to BT-4B and 725-UT applications.
- * Patented concentric gear engagement design.
- * Lighter weight and more economical cost than standard towable gearboxes.
- * Universal bolt pattern mount fits most pivot and lateral / linear towable irrigation systems.
- * Positive lock in both tow and non-tow positions.
- * Compatible with most standard tires sizes.
- * Uses the proven heavy duty gearing as our new 740-U gearbox.

CONTACT UMC AT SALES@UMCPRODUCTS.COM

Dimensional Drawing
Final Drive Gearbox



DIM	A	Notes:
740-U	11.10"	Fits most Lindsay, Reinke, and Lockwood applications.
740-UV	13.18"	Fits most Valmont applications.

CONTACT UMC AT SALES@UMCPRODUCTS.COM



Universal Motion Components, Co. Inc.
2920 Airway Ave, Costa Mesa, Ca. 92626
Phone: 714.437.9600 Fax: 714.437.9700
Web: <http://www.umcproducts.com>
E-mail: sales@umcproducts.com